

IPN2FE**9/16" FT PLSTC INSUL (200/JR)**

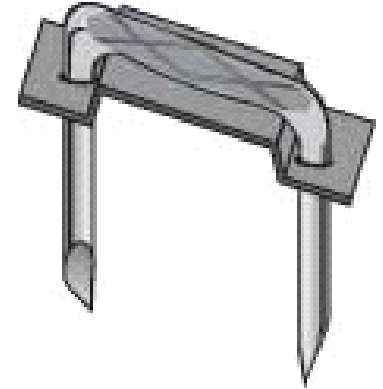
UPC: 784610998079

Country of Origin:

UNSPSC: 39121705

USA

Commodity: Cable clamp and staple



Residential staples (insulated or non-insulated) are staples that provide secure mounting without damage to wire and cable.

Product Attributes

Brand Name	Minerallac Company
Sub Brand	Impact Staples
Type	Insulated Metal Staples
Special Features	Highly visible optic blue plastic insulator. Features a flat-top design.
Cable Size	3 Conductor (#10, #12, #14) Romex [®] , BX, MC and other cable.
Staple Size	1.250" x 0.562" IN
Material	Steel; Molded Plastic
Color	Silver; Blue
Insulation	Plastic Insulator
Construction	Wire Formed

Item Status: Active

Standard Qty: 200